



Parabolic antenna JRMB - 900 -10 UPB

Antenna JRMB – 900 – 10 UPB is designed for microwave links at the frequency bands 10 GHz. It has deep reflector dish and massive bracket JDMW-900 which allows precise adjustment in both directions. Whole antenna system has extreme wind stability.

Electrical parameters:

Frequency range	10.1 – 10.7 GHz
Gain	37.2 dBi
Side lobe level	≤ 15 dB
Front to back ratio	≥ 47 dB
Beamwidth_{-3 dB}	2.3°
Polarization	According to mounting unit - 2 x 45° or Vertical / Horizontal
Return loss (VSWR)	≥ 18 dB (≤ 1,3)

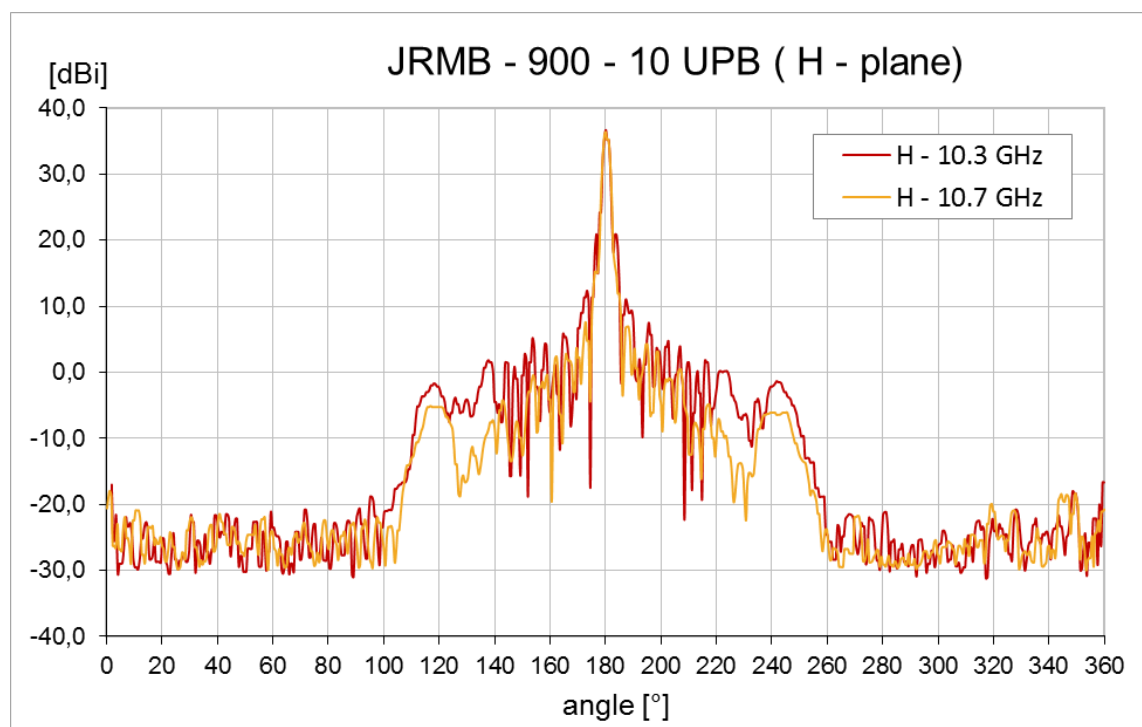
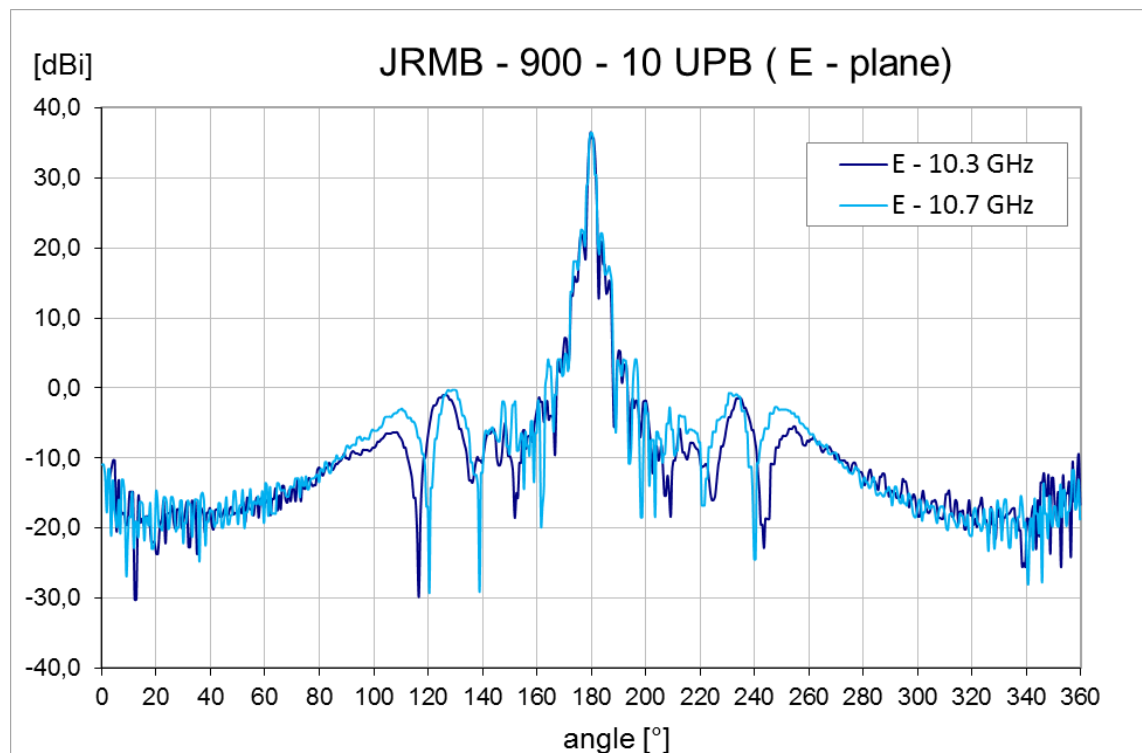
Mechanical parameters:

Parabola	Aluminium alloy
Size	Ø 900 mm
Depth	331 mm
Cover	UV steady plastic ABS
Input / output	Circle waveguide 19.5 mm Compatible with PowerBridge M10
Installation for mast	Ø 40 - 120 mm
Operating wind load	140 km/h
Survival wind load	210 km/h
Weight of antenna	11.9 kg (26.23 lbs.)
of bracket	4.3 kg (9.48 lbs.)
Shipping dimensions	1000 mm x 1000 mm x 490 mm

The antenna is supplied together with a bracket that allows easy mounting on a mast. Bracket can be installed separately on the mast. Subsequently, you can simply hang up the antenna with microwave unit into it. We recommend mounting on the mast with minimal Ø 70 mm in the areas with the occurrence of the adverse weather conditions. Bracket allows fine setting elevation (of gradient) and azimuth ± 20°. It is possible to mount to right and left side.

Parabolic antenna JRMB - 900 - 10 UPB

Measurements of radiation pattern:



Parabolic antenna JRMB - 900 -10 UPB

Outline:

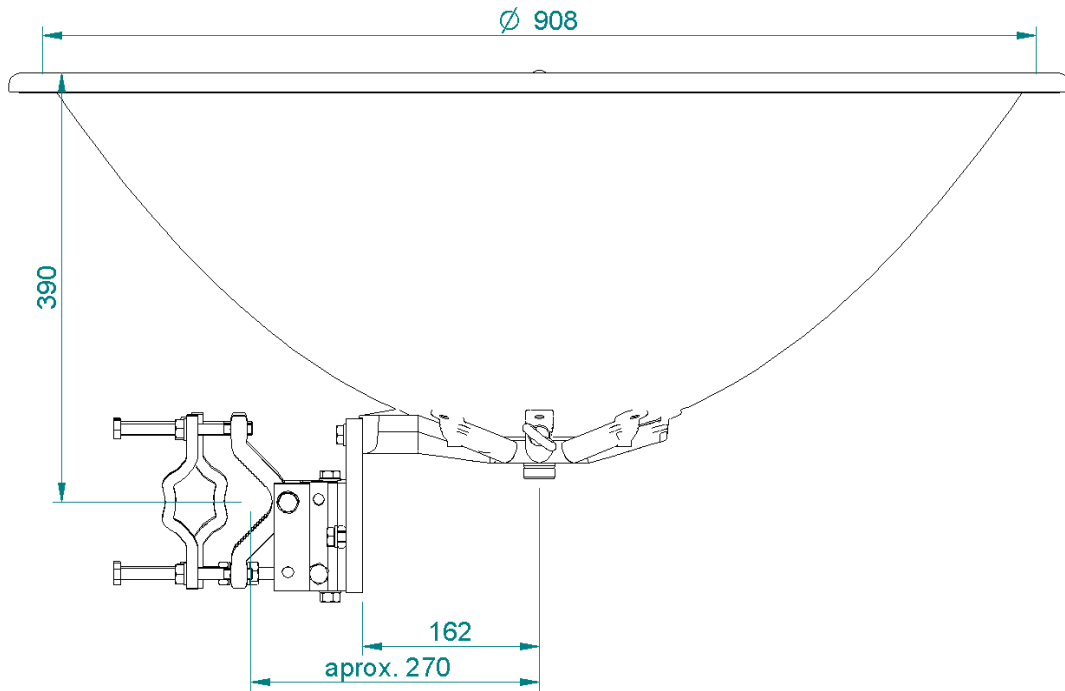


Fig. 1 Antenna dimensions

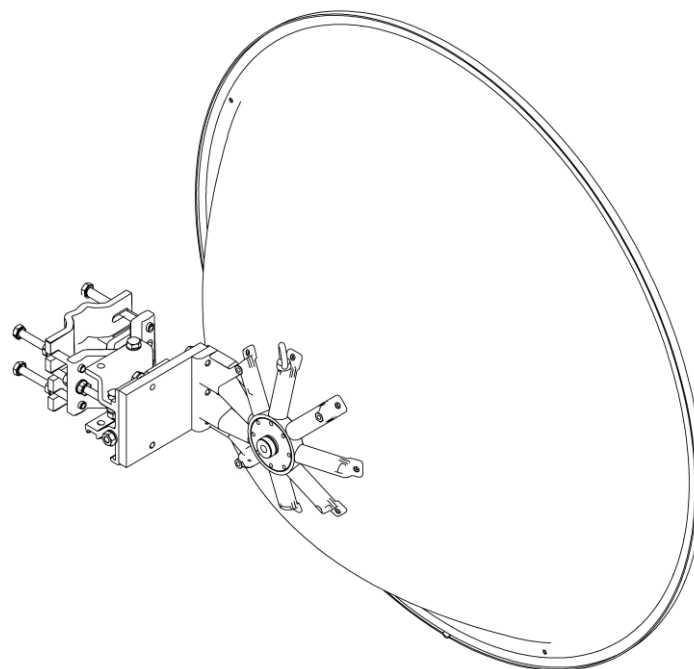


Fig. 2 Antenna with massive holder (back side)